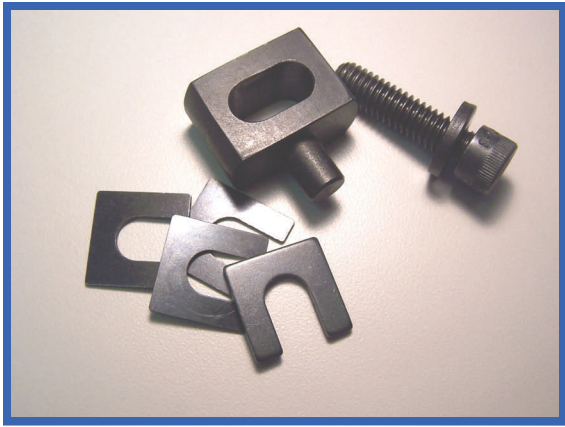


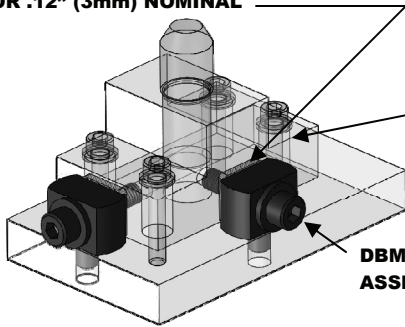
dbm

Shim T-Block

A compact shim block designed to adjust locator details on welding and other fixtures and machinery. Two sizes are available in choice of metric or inch. The DBM Shim T-Block comes complete with socket head cap screw, washer and shim pack in prepackaged kit.

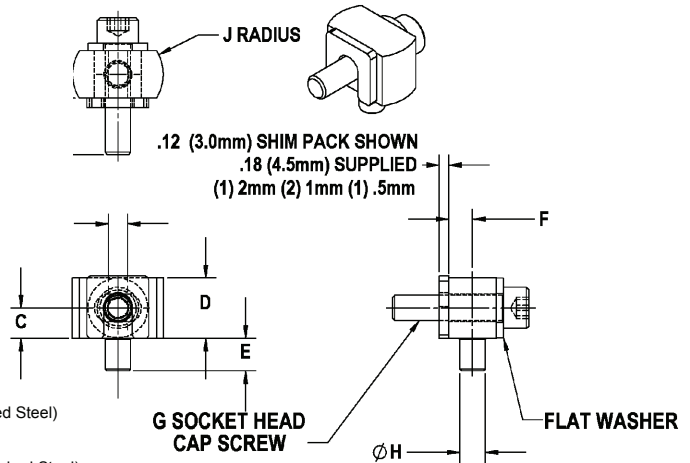
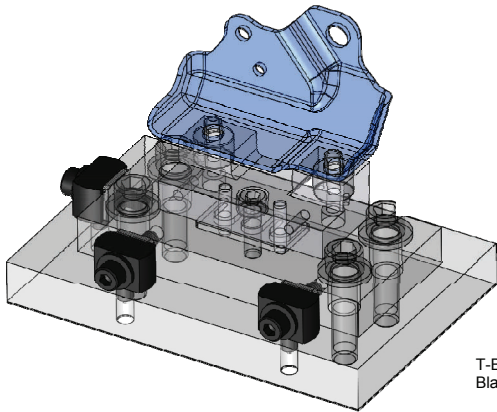


**.18" (4.5mm) THICK SHIM PACK SUPPLIED.
DESIGN FOR .12" (3mm) NOMINAL**



USE OVERSIZED MTG. HOLES IN FIXTURE LOCATOR BASE PLATE TO ALLOW X AND Y ADJUSTMENT OF THE SHIM PACKS

DBM SHIM T-BLOCK ASSEMBLY



T-Block Material: (1144 Cold Finished Steel)
Black Oxide Finish

Shim Pack Material: (1010 Cold Finished Steel)
Black Oxide Finish

DIMENSIONS

PART NO.	SB-6A	SB-8A	SB-1/4A	SB-5/16A
SIZE	6 millimeter	8 millimeter	1/4 inch	5/16 inch
A	13.3	17.7	0.54	0.57
B	6.0	6.0	0.24	0.24
C	7.94	9.53	0.313	0.375
D	15.88	19.05	0.625	0.750
E	8.0	10.3	0.32	0.41
F	5.00 ± .050	7.5 ± .050	0.197 ± .002	0.295 ± .002
G	SHCS M6-1.00 X 25LG	SHCS M8-1.25 X 35LG	SHCS 1/4-20 X 1.00LG	SHCS 5/16-18 X 1.25LG
H	6mm +0/-0.025	8mm +0/-0.025	.236" +0/-0.001	.315" +0/-0.001
J	11.1	14.3	0.44	0.56

The specifications and data in this publication are believed to be accurate and reliable. It is the responsibility of the product user to determine the suitability of DBM Innovation Inc. products for a specific application. While defective products will be replaced with no charge if promptly returned, no liability is assumed beyond such replacement. Specifications subject to change without notice.

© 2016 DBM Innovation Inc. All rights reserved.

dbm
INNOVATION INC.
Post Office Box 482
Sussex, WI 53089
(262) 246-8075
FAX: (262) 246-9075
mail@dbminnovation.com
www.dbminnovation.com/stb