



# universal spring cylinder

The "Adaptomizable" Spring Plunger.

CAD DOWNLOAD LINKS



## NON-THREADED STYLE

### SPECIFICATIONS

PLUNGER DIA.		5/16"		1/2"		5/8"		1"	
STROKE		3/8"		9/16"		3/4"		1 1/8"	
SPRING FORCE		LT.	HVY.	LT.	HVY.	LT.	HVY.	LT.	HVY.
END	INITIAL	0.5	1.5	2	5.5	2	6	2.5	6.5
FORCE (LBS.)	HALFWAY	1.5	4	3.5	10	5.5	15	8	21
	FINAL	2.25	6.5	5	14	8.75	24	13.75	35.75
PART NUMBER		C031038-STL1	C031038-STL2	C050056-STL1	C050056-STL2	C063075-STL1	C063075-STL2	C100112-STL1	C100112-STL2
A		.031X30°		.047X30°		.047X30°		.060X30°	
B		0.313 +.000/-.001		0.500 +.000/-.001		0.625 +.000/-.001		1.000 +.000/-.002	
C		0.38		0.56		0.75		1.13	
D		1.313		1.719		2.125		3.188	
E		0.38		0.50		0.56		0.88	
F		0.500 +.000/-.002		0.813 +.000/-.002		1.000 +.000/-.002		1.500 +.000/-.002	
G		0.436 +.002/-.002		0.718 +.002/-.002		0.904 +.002/-.002		1.374 +.002/-.002	
H		#6-32 .25 DP.		#10-32 .38 DP.		1/4-20 .50 DP.		3/8-16 .75 DP.	
J		0.188 +.001/-.000 X .063 DP.		0.313 +.001/-.000 X .125 DP.		0.375 +.001/-.000 X .188 DP.		0.625 +.001/-.000 X .250 DP.	
K		0.250		0.438		0.500		0.812	
L		0.125		0.188		0.250		0.375	
M		#6-32		1/4-20		5/16-18		1/2-13	
N		2.06		2.78		3.44		5.19	
P		.156		.250		.313		.500	
R		0.188 +.000/-.001		0.313 +.000/-.001		0.375 +.000/-.001		0.625 +.000/-.002	



INNOVATION INC.

Post Office Box 482

Sussex, WI 53089

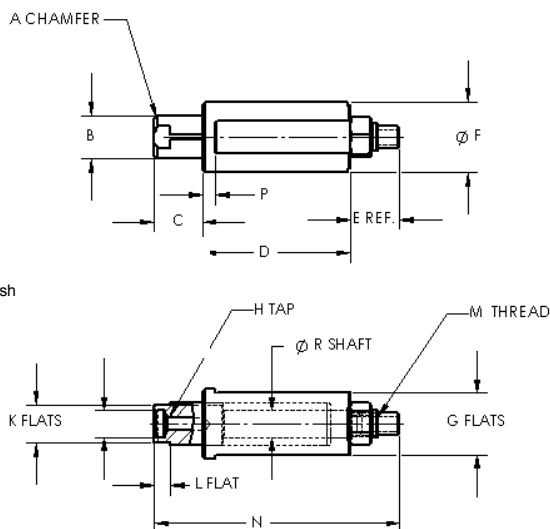
(262) 246-8075

FAX: (262) 246-9075

mail@dbminnovation.com

www.dbminnovation.com

Materials:  
Plunger: 4140 HT Steel-- Black Oxide Finish  
Body: Cold Finished Steel -- Black Oxide Finish



The specifications and data in this publication are believed to be accurate and reliable. However, it is the responsibility of the product user to determine the suitability of DBM Innovation Inc. products for a specific application. While defective products will be replaced without charge if promptly returned, no liability is assumed beyond such replacement. Specifications subject to change without notice.

© 2016 DBM Innovation Inc. All rights reserved.

03/10/16